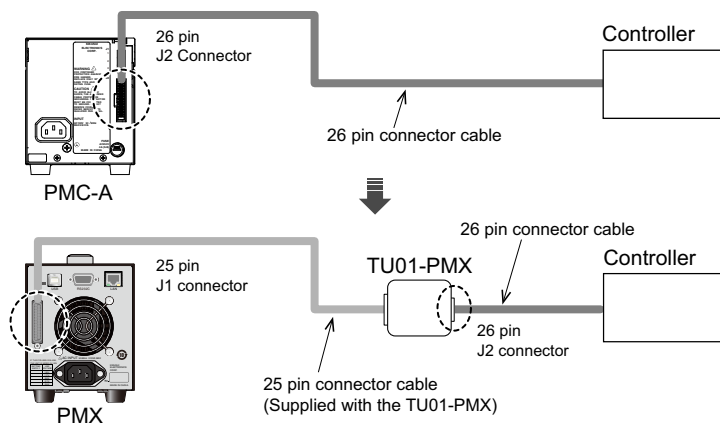


The TU01-PMX is a terminal unit that converts the 25 pin J1 connector of the Kikusui PMX series Regulated DC Power Supply to the 26 pin J2 connector of the Kikusui PMC-A series Regulated DC Power Supply.

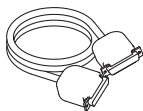
You can insert this unit between a controller and a PMC-A series to perform the same external control that you can perform on the PMX series.

Before you use the product, thoroughly read the warnings and precautions that are written in the PMX series Regulated DC Power Supply operation manual. Connect this product only to a PMX series.

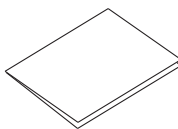


Components

Check that all parts are included and that they are not damaged. If any of the parts are damaged or missing, contact your Kikusui agent or distributor.

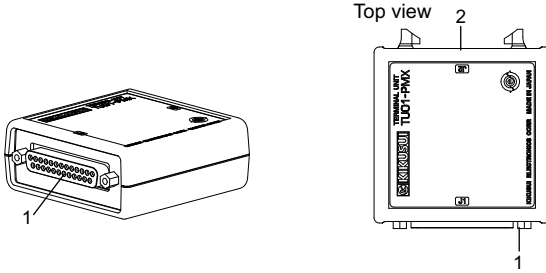


Connector cable (1 pc.)
[91-80-9930]



Operation manual
(This manual, 1 pc.)
[Z1-006-350]

Part Names and Functions



No.	Name	Function
1	J1 connector	D-sub 25 pin connector (PMX series side)
2	J2 connector	MILL 25 pin connector

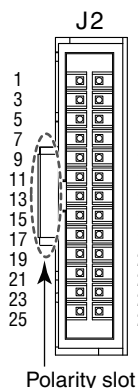
TU01-PMX Specifications

Environment	Installation location	Indoors, at a height of up to 2000 m
	Operating Temperature and Humidity	0 °C to 40 °C (32 °F to 104 °F), 20 %rh to 85 %rh (no condensation)
	Storage Temperature and Humidity	-20 °C to 70 °C (-4 °F to 158 °F), 90 %rh or less (no condensation)
Dimensions	67 mm x 28 mm x 67 (80) mm (2.64 inch x 1.10 inch x 2.64 (3.15) inch)	
Weight	Approx. 80 g (0.18 lb.)	
Accessories	Connection cable	1 pc.
	Operation manual	1 pc.

Pin arrangement of the 26 pin J2 connector

The pin arrangement of the 26 pin J2 connector of the TU01-PMX and the 26 pin J2 connector of the PMC-A series are the same.

To use the external control feature with an old PMC-A series 14-pin plug, connect the connectors so that the polarity slot of the J2 connector of this product is aligned with the polarity guide of the 14-pin plug.



14 pins type *1	Pin No.	Signal Name	Description
-	1	CV STATUS	On during CV operation (open collector output by a photocoupler)*2
-	2	CC STATUS	On during CC operation (open collector output by a photocoupler)*2
-	3	V MON	Output voltage monitor (Outputs 0 % to 100 % of the rated current using 0 V to 10 V)
-	4	I MON	Output current monitor (Outputs 0 % to 100 % of the rated current using 0 V to 10 V)
-	5	N.C.	No connection
-	6	N.C.	No connection
1	7	EXT-V CV CONT	External voltage control of output voltage. (0 % to 100 % of the rated output voltage using 0 V to 10 V).
2	8	EXT-R CV CONT COM	Common for external resistance control of output voltage.
3	9	A COM	Common for external signal of pins 3, 4, 7, 15. Connected to the negative electrode (-S) of the sensing input when remote sensing is used. Connected to -(neg.) output when remote sensing is not used.
4	10	EXT-R CV CONT	External resistance control of output voltage. (0 % to 100 % of the rated output voltage using 0 V to 10 V).
5	11	EXT-R CC CONT	External resistance control of output current. (0 % to 100 % of the rated output current using 0 Ω to 10 kΩ).
6	12	A COM	Same as pin 9.
7	13	EXT-R CC CONT COM	Common for external resistance control of output current.
8	14	A COM	Same as pin 9.
9	15	EXT-V CC CONT	External voltage control of output current. (0 % to 100 % of the rated output current 0 V to 10 V).
10	16	NO CONNECTION	No connection
11	17	A COM	Same as pin 9.

14 pins type *1	Pin No.	Signal Name	Description
			Common for external signal of pins 19.
12	18	D COM	Connected to the negative electrode (-S) of the sensing input when remote sensing is used. Connected to -(neg.) output when remote sensing is not used.
13	19	OUT ON/OFF CONT	Output on/off control. Output off by external contact input.
14	20	D COM	Same as pin 18.
-	21	N.C.	No connection
-	22	N.C.	No connection
-	23	ALM STATUS	Turns on when the OVP, OHP is activated. (open collector output by a photocoupler)*2
-	24	OUT ON STATUS	Turns on when the output is on. (open collector output by a photocoupler)*2
-	25	PWR ON STATUS	Turns on when the power switch is on. (open collector output by a photocoupler)*2
-	26	STATUS COM	Common for status signal of pins 1, 2, 23, 24, and 25.

*1. Indicates the pin assignment of the 14-pins plug of old type PMC-A series.

*2. Open collector output (maximum voltage 30 V, maximum current approx. 5 mA)
Insulated from the control circuits.

KIKUSUI ELECTRONICS CORP.

1-1-3 Higashiyamata, Tsuzuki-ku, Yokohama, 224-0023, Japan
Tel: +81-45-593-7570 Fax: +81-45-593-7571

Website

<http://www.kikusui.co.jp>