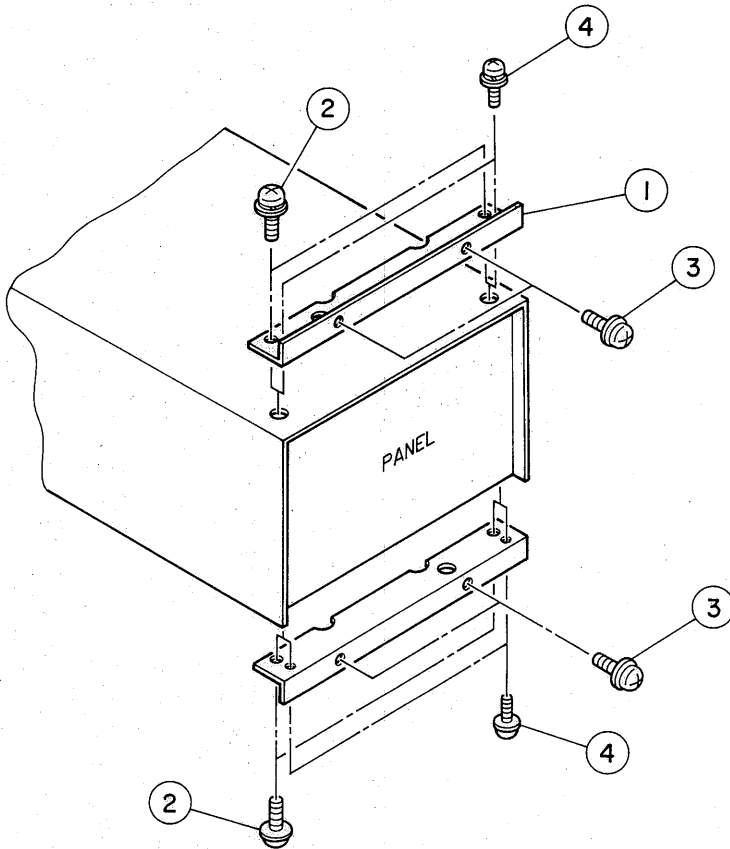


BRACKET B22



NO.	DESCRIPTION	QTY.
1.	BRACKET B22	2
2.	SCREW WITH SW, PW M4x8 S-ZN	4
3.	SCREW WITH PW (S) M4x8 B-NI	4
4.	SCREW WITH SW, PW M3x8 S-ZN (FOR PAB SERIES TYPE LL, PLZ152WA ONLY)	4