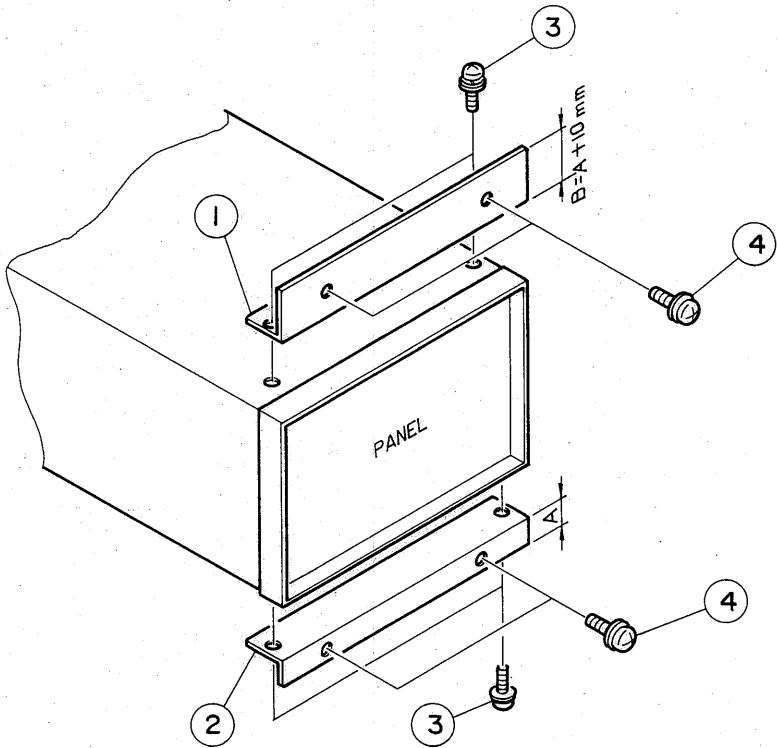


BRACKET B23



NO.	DESCRIPTION	QTY
1	BRACKET UPPER B23	1
2	BRACKET LOWER B23	1
3	SEMS-PW-K BIND M4 8 B-NI	4
4	DOUBLE SEMS M3 8 S-ZN	4